

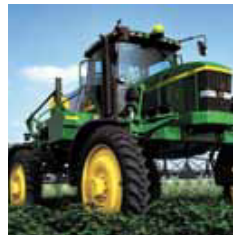


600 series Wheel drives

Benefit from the experience of the leading manufacturer.

Whether you are designing a wheeled agriculture or construction equipment, the 600 series will offer you the right choice for your vehicle.

A disengagement device to tow the vehicle in an emergency is optionally available.



Type	Torque [Nm]
601 R	1750
603 W..V	4000
603 W..L	4000
605 W..V	7000
606 W..V	12000
607 W..V	17000
609 W..V	23000
610 W..V	30000
611 W..V	36000
613 W..V	45000
615 W..V	60000



Torque Range
1750 ... 60000 Nm

Gear Ratios
5.8 ... 153

Key Features
Rotating housing flange with studs to fit wheels and drums
Rugged design
High torque capacity
High load capacity
Mechanical lifetime seals

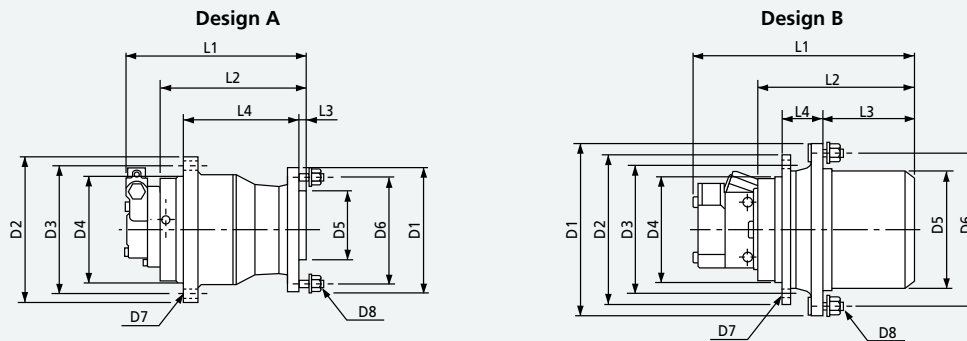
Compact design
Optional mechanical gear disengagement on request

Applicable motors
Cartridge axial piston hydraulic motors
Flanged axial piston hydraulic motors
Hydraulic orbit motors
DC electric motors

Brake
Hydraulically released parking brake on request

Type	Range of ratios	Max. input speed	Hydraulic motor drive	Braking torque	Min. opening pressure	Weight	Design
	1:	min -1	(1)	Nm	bar	Kg	
601 R	5.77	500	LS	450 - 600	15 - 20	35	A
603 W..V	19-23-32-40	3000	HS	210	18	45	B
603 W..L	19-23-32-40	3000	HS	210	18	45	A
605 W..V	22-27-30-42-53	3000	HS	220 - 310	10 - 20	70	B
606 W..V	30- 35-43-68-79	3000	HS	300 - 800	15 - 20	110	B
607 W..V	55-120	3000	HS	300 - 600	15 - 20	140	B
609 W..V	55-147	3000	HS	300 - 600	15 - 20	170	B
610 W..V	55-123	3000	HS	300 - 800	15 - 20	200	B
611 W..V	41-47	3000	HS	300 - 800	15 - 20	250	B
613 W..V	108	3000	HS	300 - 800	15 - 20	250	B
615 W..V	108	3000	HS	300 - 1000	15 - 20	350	B

(1) LS = Low speed motor
HS = High speed motor



Type	D1	D2	D3	D4	D5	D6	D7	D8	L1	L2	L3	L4
601 R	230	260	230	200	152.4	203.2	15 n°8	M14x1.5 n°8	Depend on motor type	245	10	195
603 W..V	280	270	230	190	200	245	M16x2 n°8	M18x1.5 n°6		230	128	72
603 W..L	280	270	230	190	160	205	M16x2 n°8	M18x1.5 n°6		230	25	175
605 W..V	310	270	230	190	220	275	M16x2 n°8	M20x1.5 n°6		260	158	72
606 W..V	370	330	300	270	280	335	M16x2 n°18	M22x1.5 n°10		330	200	115
607 W..V	400	317	285	240	300	355	M20x2.5 n°20	M18x1.5 n°20		335	233	82
609 W..V	435	375	340	300	350	400	M20x2.5 n°16	M22x1.5 n°16		350	243	91
610 W..V	435	375	340	300	350	400	M20x2.5 n°16	M22x1.5 n°16		350	243	91
611 W..V	490	425	325	290	410	455	M20x2.5 n°24	M20x1.5 n°24		375	242	110
613 W..V	490	425	325	280	410	455	M20x2.5 n°24	3/4-16 UNF n°24		405	275	110
615 W..V	550	500	460	420	460	510	M20x2.5 n°24	M20x1.5 n°24		470	320	130