

Design Data	
Commutation	Brushed
Direction of rotation	Bi-directional
Bearing type	A: Ball - B: Sleeve

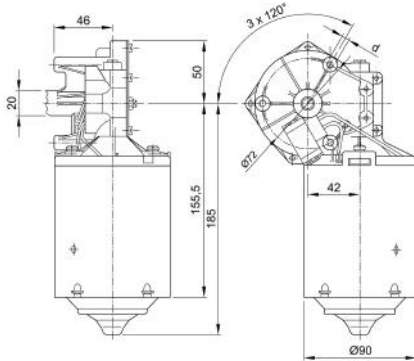
Performance data		
Rated voltage [V]	$U_N$	24
Nominal torque [Nm]	$M_N$	8.00
No-load speed [ $\text{min}^{-1}$ ]	$n_0$	47.0
Nominal power [W]	$P_N$	34.9
Nominal current [A]	$I_N$	11.0
Nominal force [kN]	$F_N$	0.00
Duty cycle	s1	

Sensor data	
Pulses	0
Output channels	0

Other data	
Gear ratio	59/1
Gear wheel material	Bronze
Suppression components	5.0 $\mu$ H
Enclosure class	IP20
Weight [kg]	2.900

Remarks:

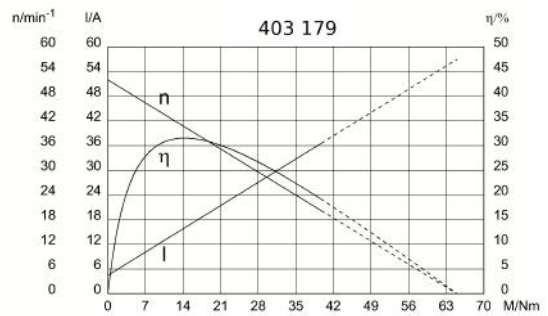
### 0291 AL



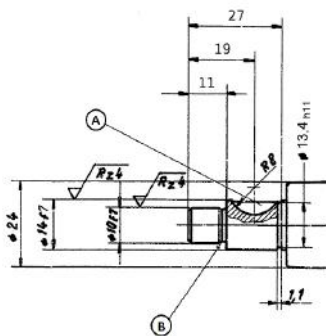
### Motor picture



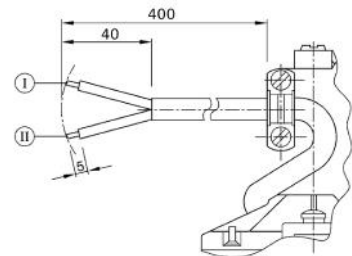
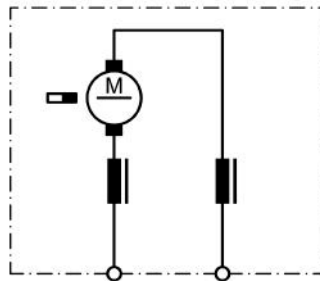
### Characteristic curves



### Output shaft drawing (W), Wiring diagrams (S) and Connector layout (K)



### S 27



A: keyway 5 - P9 width tolerance  
 B: undercut E 0.6 x 0.2 to DIN 509

I: red  
 II: green