

Design Data	
Commutation	Brushed
Direction of rotation	Bi-directional
Bearing type	A:Ball - B:Sleeve

Performance data		
Rated voltage [V]	U_N	24
Nominal torque [Nm]	M_N	8.00
No-load speed [min^{-1}]	n_0	48.0
Nominal power [W]	P_N	36.0
Nominal current [A]	I_N	7.0
Nominal force [kN]	F_N	0.00
Duty cycle	s1	

Sensor data	
Pulses	0
Output channels	0

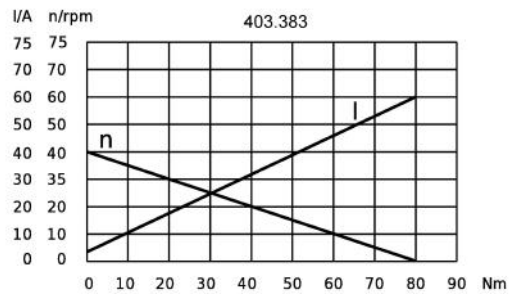
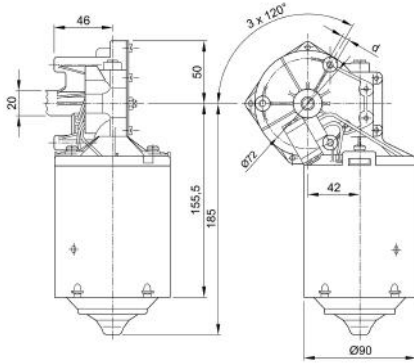
Other data	
Gear ratio	46/1
Gear wheel material	bronze
Suppression components	
Enclosure class	IP20
Weight [kg]	2.900

Remarks: d=M8x23

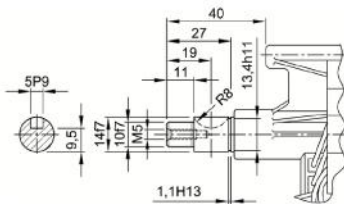
Characteristic curves

Motor picture

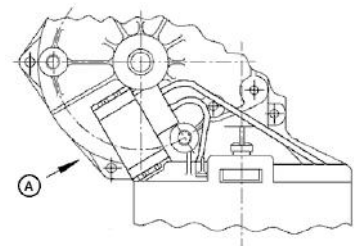
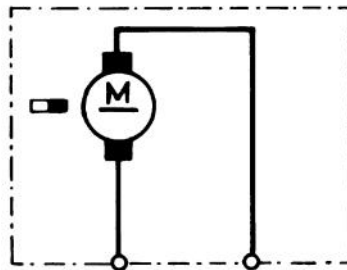
0291 AL



Output shaft drawing (W), Wiring diagrams (S) and Connector layout (K)



S 28



A: spade ends 6.3 x 0.8 (according to DIN 46 244)