

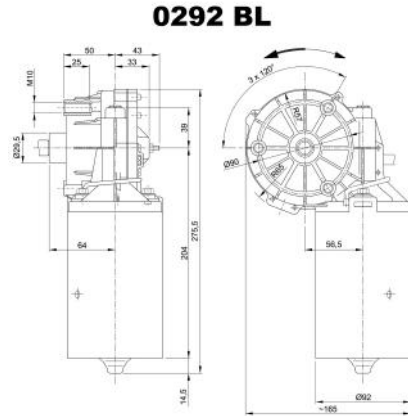
Design Data	
Commutation	Brushed
Direction of rotation	Bi-directional
Bearing type	A:Ball - B:Sleeve

Performance data		
Rated voltage [V]	$U_N$	24
Nominal torque [Nm]	$M_N$	10.0
No-load speed [ $\text{min}^{-1}$ ]	$n_0$	165.0
Nominal power [W]	$P_N$	156
Nominal current [A]	$I_N$	5.0
Nominal force [kN]	$F_N$	0.00
Duty cycle		s1

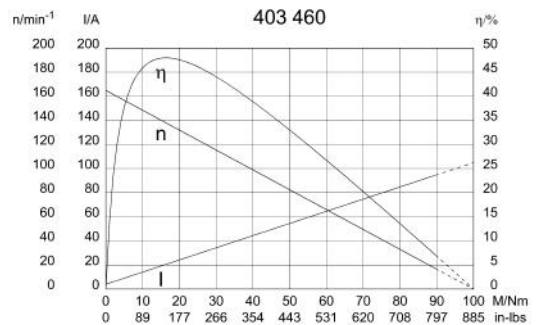
Sensor data	
Pulses	0
Output channels	0

Other data	
Gear ratio	43/3
Gear wheel material	plastic
Suppression components	
Enclosure class	IP 20
Weight [kg]	4.200

Remarks:

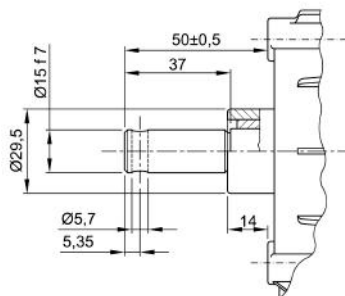


### Motor picture

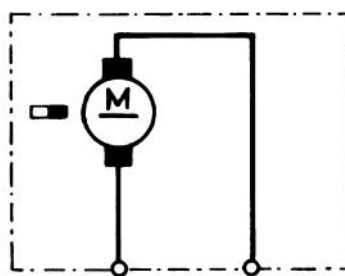


### Output shaft drawing (W), Wiring diagrams (S) and Connector layout (K)

**W 167**



**S 28**



**K 123**

