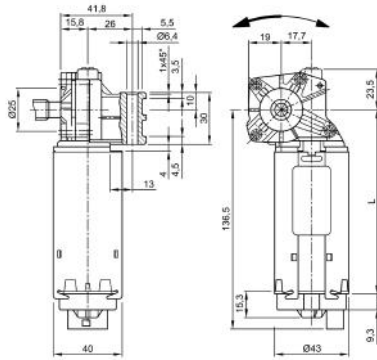


Design Data	
Commutation	Brushed
Direction of rotation	Bi-directional
Bearing type	A:Sleeve - B:Sleeve

Performance data		
Rated voltage [V]	$U_N$	12
Nominal torque [Nm]	$M_N$	1.50
No-load speed [ $\text{min}^{-1}$ ]	$n_0$	180.0
Nominal power [W]	$P_N$	21.3
Nominal current [A]	$I_N$	9.0
Nominal force [kN]	$F_N$	2.00
Duty cycle	s3	

### 0321 BL



Sensor data	
Pulses	29
Output channels	1

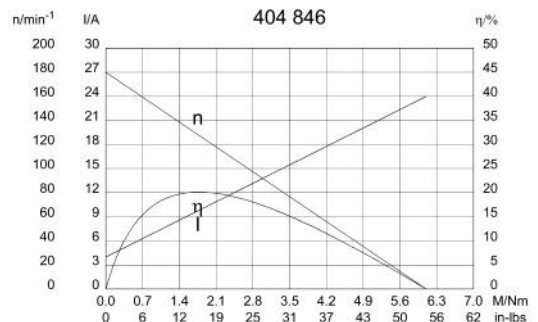
Other data	
Gear ratio	29/1
Gear wheel material	plastic
Suppression components	5,5 $\mu$ H, 47nF, (0,47 $\mu$ F)
Enclosure class	IP 40
Weight [kg]	0.880

Remarks: L = 116mm, 1 start worm

### Motor picture

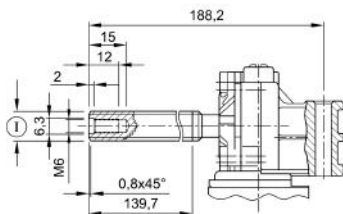


### Characteristic curves



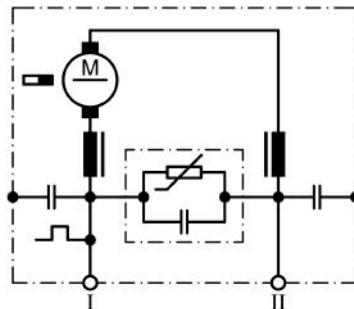
### Output shaft drawing (W), Wiring diagrams (S) and Connector layout (K)

#### W 288



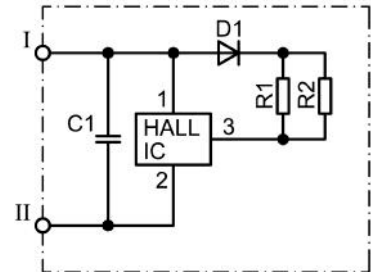
shape 7/16-8 STUB ACME RH, pressure angle 20°, pitch 3,175mm (0,125"), no of starts 1

#### S 93



I Terminal 1  
 II Terminal 5

#### S 85



I Terminal 4, Hall-IC +  
 II Terminal 2, Hall-IC -

