

Design Data	
Commutation	Brushed
Direction of rotation	Bi-directional
Bearing type	

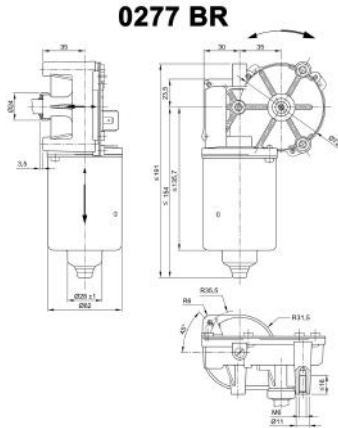
Performance data		
Rated voltage [V]	U_N	12
Nominal torque [Nm]	M_N	3.00
No-load speed [min^{-1}]	n_0	270.0
Nominal power [W]	P_N	68.9
Nominal current [A]	I_N	15.0
Nominal force [kN]	F_N	0.00
Duty cycle		s1

Sensor data	
Pulses	0
Output channels	0

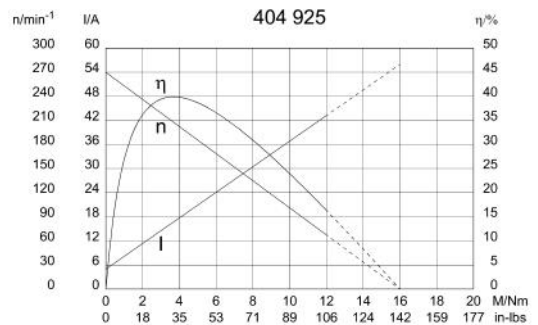
Other data	
Gear ratio	70/4
Gear wheel material	plastic
Suppression components	1.9 μ H, 1 μ F
Enclosure class	IP 40
Weight [kg]	1.200

Remarks: Ball bearing

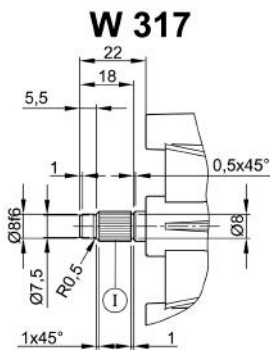
Characteristic curves



Motor picture

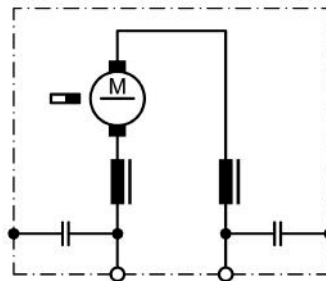


Output shaft drawing (W), Wiring diagrams (S) and Connector layout (K)

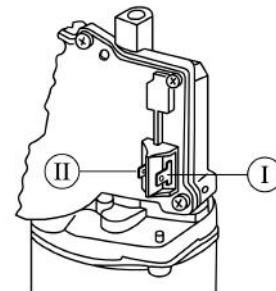


I Tapered splines 8 x 10 f
 (similar DIN 5481)

S 30



K 144



I Blade terminal ends 6,3 x 0,8 DIN 46 244
 II Blade terminal ends 4,8 x 0,8 DIN 46 244