

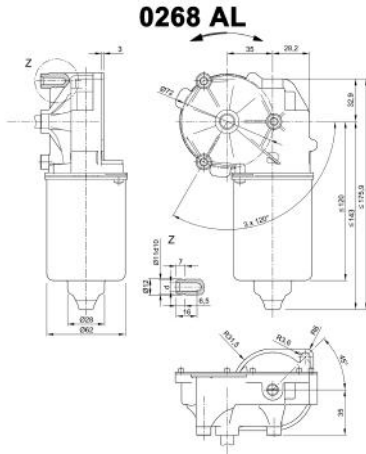
Design Data	
Commutation	Brushed
Direction of rotation	Bi-directional
Bearing type	A:Ball - B:Sleeve

Performance data		
Rated voltage [V]	U_N	24
Nominal torque [Nm]	M_N	8.00
No-load speed [min^{-1}]	n_0	53.0
Nominal power [W]	P_N	39.2
Nominal current [A]	I_N	6.0
Nominal force [kN]	F_N	0.00
Duty cycle	s1	

Sensor data	
Pulses	91
Output channels	1

Other data	
Gear ratio	91/1
Gear wheel material	plastic
Suppression components	3,5 μ H, 1nF
Enclosure class	IP 30
Weight [kg]	1.250

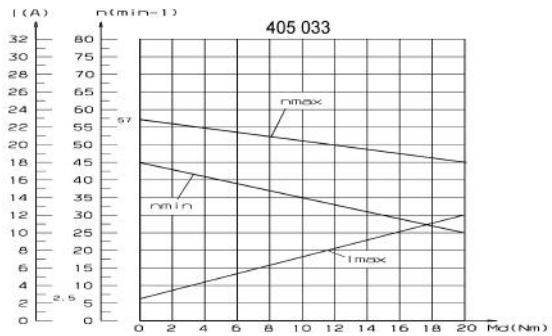
Remarks: d=for thread forming screws M6 DIN ISO 965-2



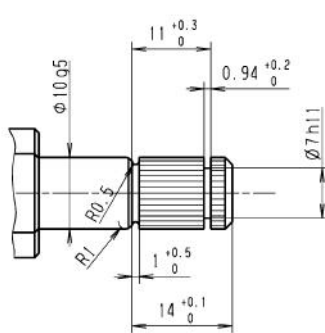
Motor picture



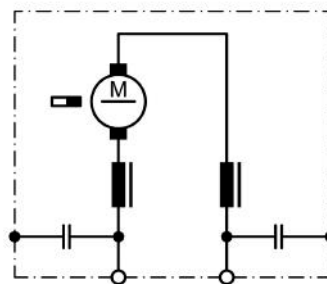
Characteristic curves



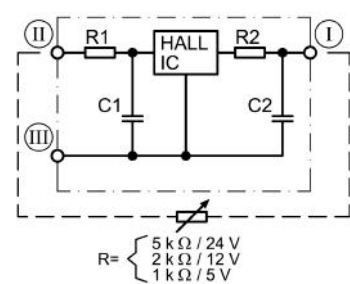
Output shaft drawing (W), Wiring diagrams (S) and Connector layout (K)



S 30



S 124



Splines: 8 x 10 (according to DIN 5481)
 Output shaft length = 28mm

I Terminal 3, A
 II Terminal 4, +
 III Terminal 5, -

