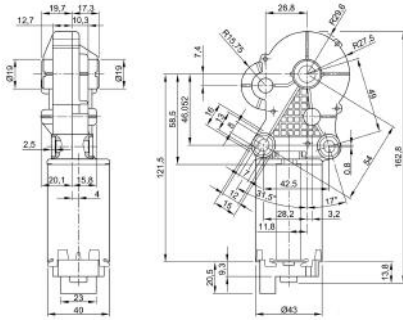


Design Data	
Commutation	Brushed
Direction of rotation	Bi-directional
Bearing type	A:Sleeve - B:Sleeve

Performance data		
Rated voltage [V]	U_N	12
Nominal torque [Nm]	M_N	2.00
No-load speed [min^{-1}]	n_0	21.0
Nominal power [W]	P_N	3.95
Nominal current [A]	I_N	4.0
Nominal force [kN]	F_N	0.00
Duty cycle	s3	

0320 BR



Sensor data	
Pulses	210
Output channels	2

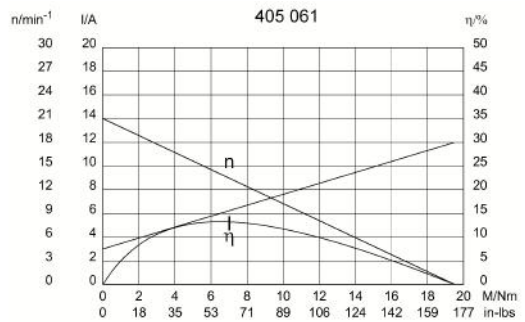
Other data	
Gear ratio	210/1
Gear wheel material	plastic
Suppression components	5,5 μH , 47nF
Enclosure class	IP 40
Weight [kg]	0.000

Remarks:

Motor picture

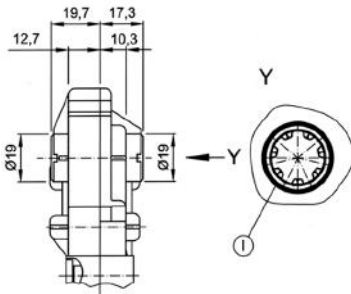


Characteristic curves



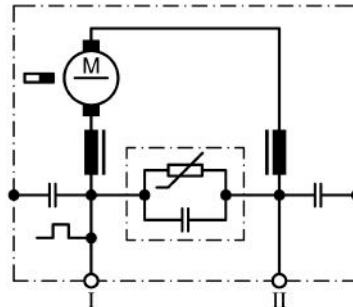
Output shaft drawing (W), Wiring diagrams (S) and Connector layout (K)

W 224

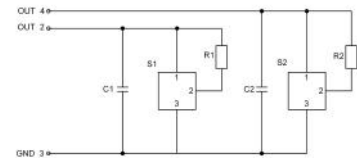


I through Profile KRC 316928 AEIZ 01

S 93

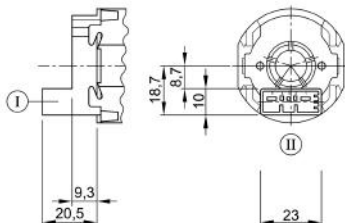


I Terminal 1
 II Terminal 5



Output shaft drawing (W), Wiring diagrams (S) and Connector layout (K)

K 220



Connector TYCO C-208-15621 (Z) mating with:
Connector housing 1379217-3 & cover
1379218-2
www.tycoelectronics.com

Notes
