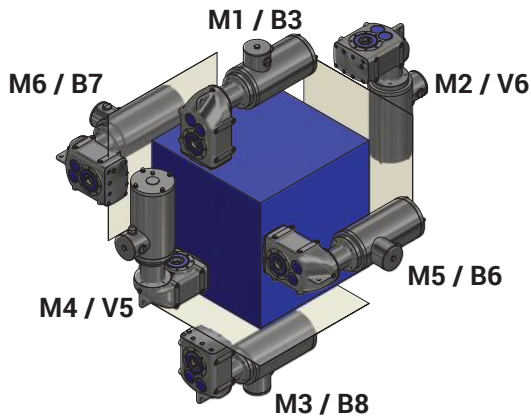
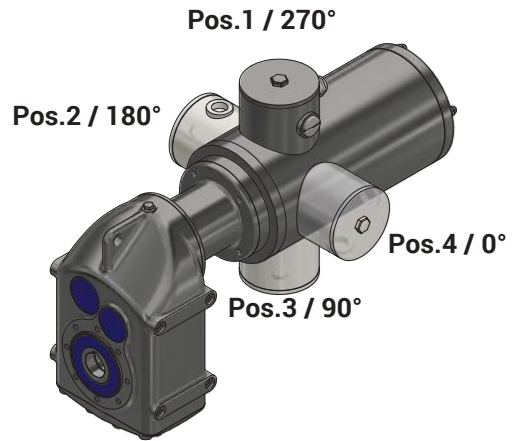


Mounting Positions



Terminal Box Positions



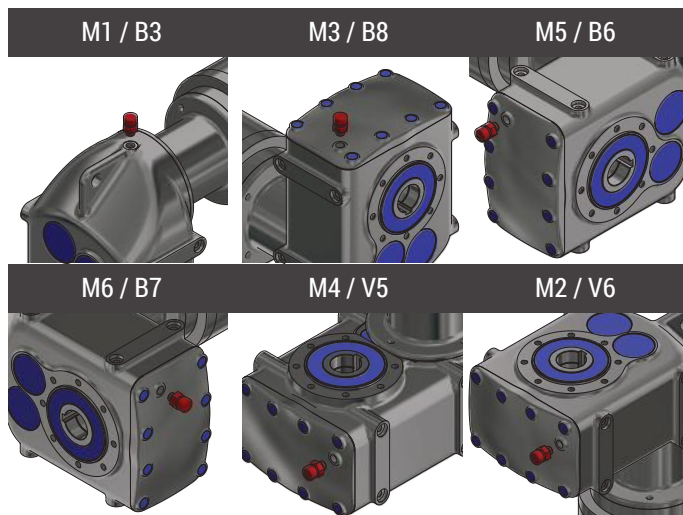
Lubrication Quantity

Oil Quantity in ML.	Mounting Position					
	M1 (B3)	M3 (B8)	M6 (B7)	M5 (B6)	M4 (V5)	M2 (V6)
Gearbox						
FFA 38 B5T1 & AM..	1150	1350	1250	1250	1250	1250
FFA 48 B5T1 & AM..	2000	2100	2000	2000	1950	2000
FFA 68 B5T2 & AM..	3900	3900	3900	3900	3900	3900
FFA 78 B5T3 & AM..	6500	7200	6500	6500	6500	7200

Lubrication Type

Lubrication Brand	Lubrication Type	
Matrix	Foodmax 460	Standard
Castrol	Optileb GT 460	Alternative
Bechem	Berusrynth 460H1	Alternative
Shell	Casida Fluid GL460	Alternative
Mobil	SHC Cibus 460	Alternative

Debreather Positions



Weight

Gearbox	Weight
FFA 38 B5T1	10.5 Kg
FFA 48 B5T1	15.5 Kg
FFA 68 B5T2	25.5 Kg
FFA 78 B5T3	28.5 Kg

Gearbox	Weight
FFA 38 AM..	14 Kg
FFA 48 AM..	19 Kg
FFA 68 AM..	30 Kg
FFA 78 AM..	36 Kg

Given values are an average and may vary depending on oil quantity.