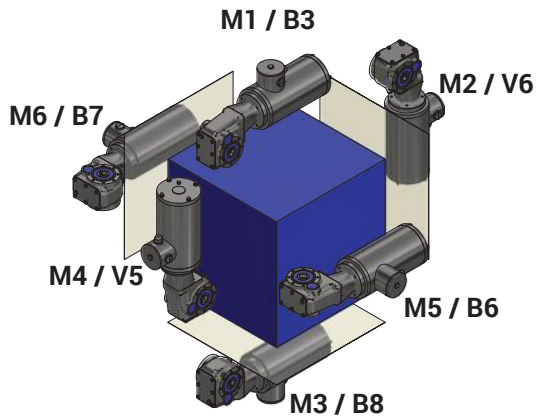
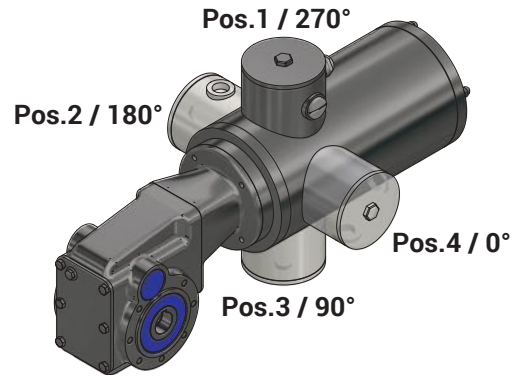


Mounting Positions



Terminal Box Positions



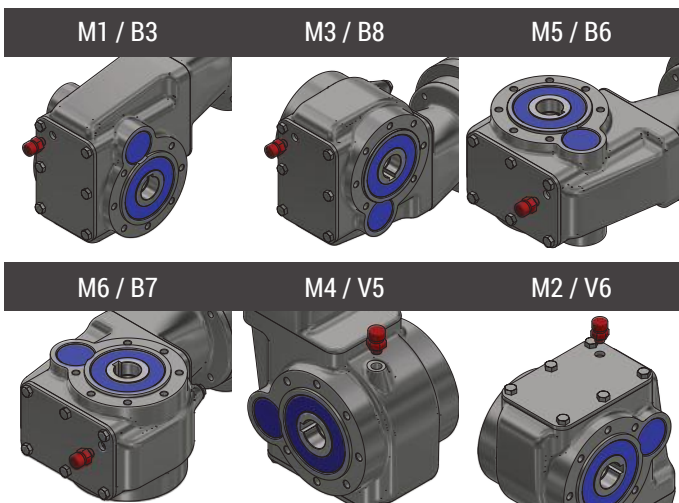
Lubrication Quantity

Oil Quantity in ML.	Mounting Position					
	M1 (B3)	M3 (B8)	M6 (B7)	M5 (B6)	M4 (V5)	M2 (V6)
Gearbox						
FK 28 B & C	210	150	150	180	210	130
FK 38 B & C	350	250	280	350	450	280
FK 48 B & C	850	500	550	700	950	550
FK 58 B & C	1500	800	900	1250	1600	1100
FK 28 & 38 prestage	110	110	110	110	110	110
FK 48 & 58 prestage	180	180	180	180	180	180

Lubrication Type

Lubrication Brand	Lubrication Type	
Matrix	Foodmax 460	Standard
Castrol	Optileb GT 460	Alternative
Bechem	Berusynth 460H1	Alternative
Shell	Casida Fluid GL460	Alternative
Mobil	SHC Cibus 460	Alternative

Debreather Positions



Weight

Gearbox	Weight
FK 28 B	7.0 Kg
FK 38 B	9.5 Kg
FK 48 B	15.5 Kg
FK 58 B	20 Kg

Gearbox	Weight
FK 28 C	8.5 Kg
FK 38 C	11 Kg
FK 48 C	17.5 Kg
FK 58 C	21.5 Kg

Preferred rotation

