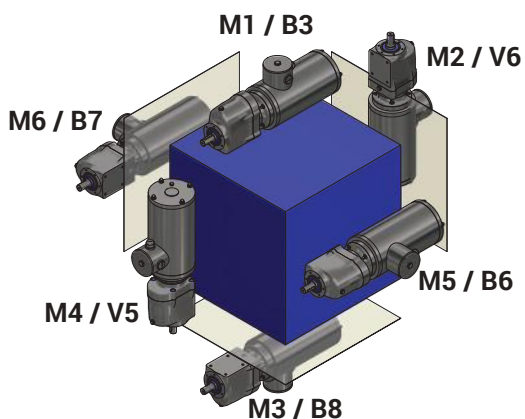
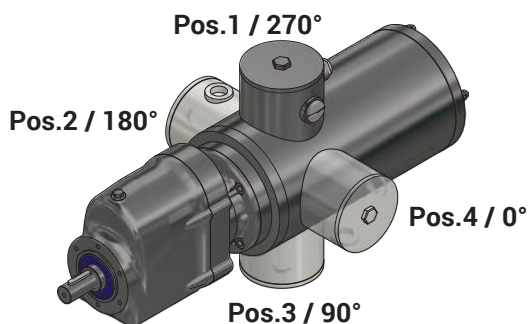


Mounting Positions



Terminal Box Positions



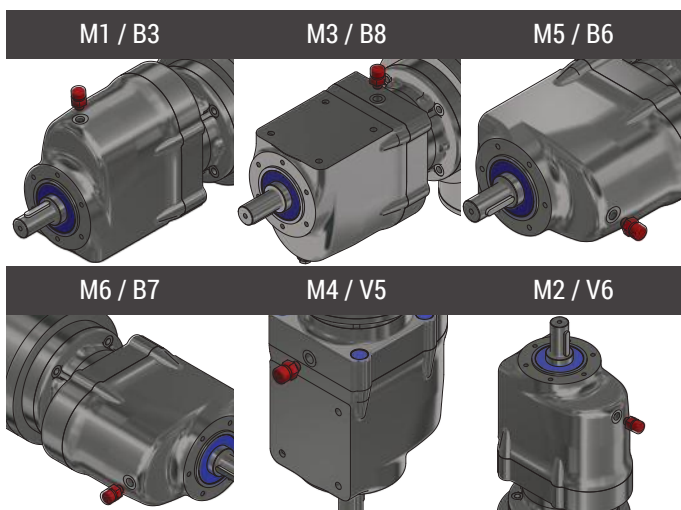
Lubrication Quantity

Oil Quantity in ML.	Mounting Position					
	M1 (B3)	M3 (B8)	M6 (B7)	M5 (B6)	M4 (V5)	M2 (V6)
Gearbox						
FRC 01	600	450	250	250	400	400
FRC 02	X	X	X	X	X	X

Lubrication Type

Lubrication Brand	Lubrication Type	
Matrix	Foodmax 460	Standard
Castrol	Optileb GT 460	Alternative
Bechem	Berusynth 460H1	Alternative
Shell	Casida Fluid GL460	Alternative
Mobil	SHC Cibus 460	Alternative

Debreather Positions



Weight

Gearbox	Weight
FRC 01	9.0 Kg
FRC 02	X

Given values are an average and may vary depending on oil quantity.