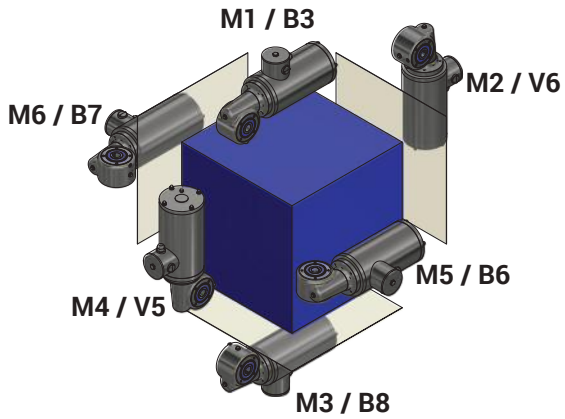
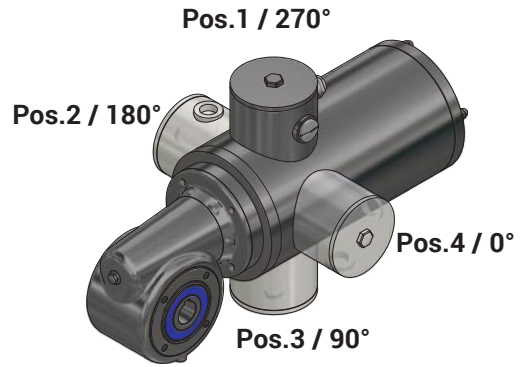


Mounting Positions



Terminal Box Positions



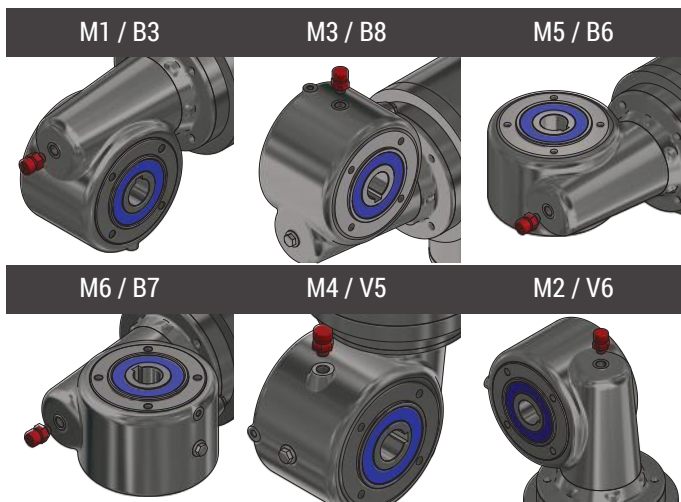
Lubrication Quantity

Oil Quantity in ML.	Mounting Position					
	M1 (B3)	M3 (B8)	M6 (B7)	M5 (B6)	M4 (V5)	M2 (V6)
Gearbox						
FV 030	x	x	x	x	x	x
FV 040	140	140	140	140	140	140
FV 050	240	240	240	240	240	240
FV063	500	500	500	500	500	500
FV 075	x	x	x	x	x	x
FV 090	x	x	x	x	x	x

Lubrication Type

Lubrication Brand	Lubrication Type	
Matrix	Foodmax 460	Standard
Castrol	Optileb GT 460	Alternative
Bechem	Berusrsynth 460H1	Alternative
Shell	Casida Fluid GL460	Alternative
Mobil	SHC Cibus 460	Alternative

Debreather Positions



Weight

Gearbox	Weight
FV 030	
FV 040	3.7 Kg
FV 050	5.7 Kg
FV063	8.9 Kg
FV 075	
FV 090	