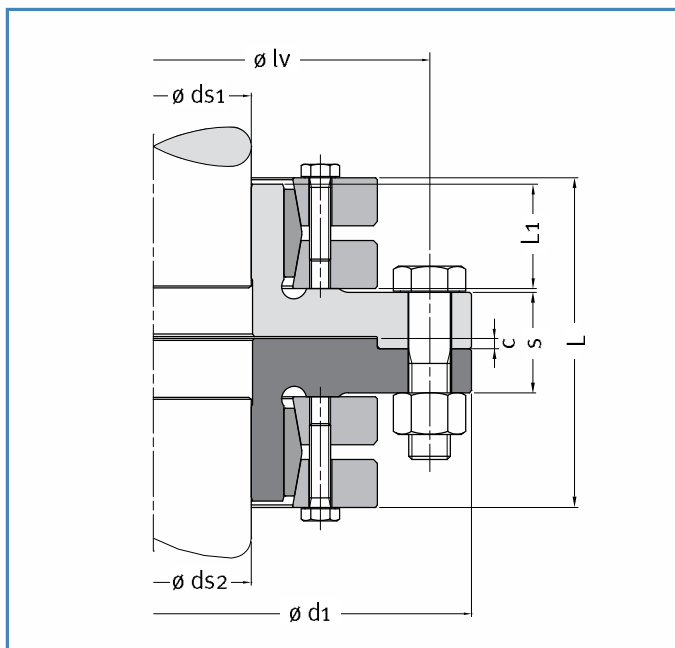


MAV FC2008 Flange couplings



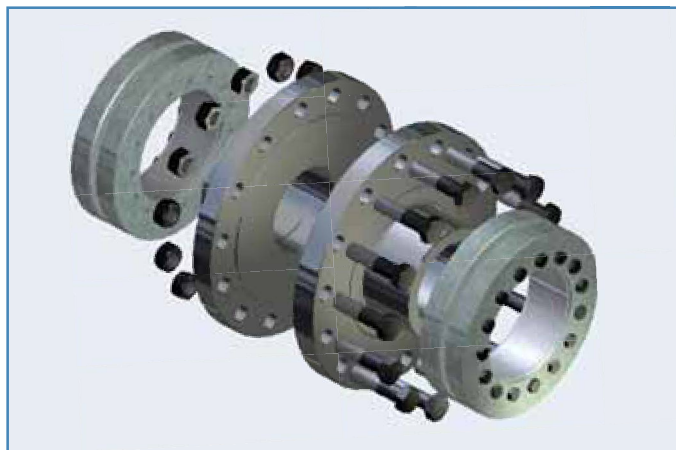
Example of order: MAV FC2008-340 260 - 260

Features

- Rigid shaft-to-shaft coupling with flanges and shrink discs MAV 2008
- Medium capacity
- Suitable for connection of medium – large diameter shafts
- Decoupling of shafts requires only few millimeters of axial room
- Connection of shafts with different diameters is possible
- Shafts tolerance: see table for shrink discs
- Shafts surface finish $Ra < 3.2 \mu m$
- Shafts – flange bores contact surfaces: grease-free and dry ($\mu = 0.15$)

Composition

- Two shrink discs MAV 2008
- Male coupling flange
- Female coupling flange
- Set of hexagonal head cap screws, grade 10.9
- Set of hexagonal nuts, grade 10



Flange couplings **MAV FC2008**

DIMENSIONS									SHRINK DISC SCREWS		FLANGE SCREWS				TRANSMISSIBLE TORQUE	WEIGHT kg
measure	ds mm	shrink disc MAV 2008 d x D	lv mm	D1 mm	s mm	L mm	L1 mm	c mm	size	Ma Nm	n.	measure	Ma Nm	Mt Nm		
100	70	100 x 170	210	240	44	136	44	4	M 8	30	6	M 16	210	7.600	26	
	75													9.300		
	80													11.300		
125	85	125 x 215	265	305	48	160	54	5	M 10	59	6	M 20	420	13.300	48	
	90													15.800		
	95													18.600		
140	95	140 x 230	286	340	56	190	64	5	M 12	100	5	M 24	720	18.600	63	
	100													21.600		
	105													24.900		
165	115	165 x 290	356	400	72	228	75	5	M 16	250	8	M 24	720	38.900	120	
	120													43.600		
	125													47.600		
175	125	175 x 300	356	400	72	228	75	5	M 16	250	8	M 24	720	42.900	120	
	130													47.800		
	135													53.100		
195	140	195 x 350	420	475	90	278	90	6	M 16	250	10	M 30	1450	75.600	215	
	150													90.600		
	155													98.700		
220	160	220 x 370	446	510	90	306	108	6	M 16	250	14	M 30	1450	110.000	265	
	165													120.000		
	170													129.000		
240	170	240 x 405	475	540	88	322	113	6	M 20	490	16	M 30	1450	146.000	310	
	180													168.000		
	190													190.000		
260	190	260 x 430	500	560	110	368	125	8	M 20	490	16	M 30	1450	197.000	395	
	200													224.000		
	210													254.000		
280	210	280 x 460	530	590	104	392	139	8	M 20	490	18	M 30	1450	260.000	445	
	220													292.000		
	230													327.000		
300	230	300 x 485	555	615	104	408	147	8	M 20	490	20	M 30	1450	334.000	500	
	240													371.000		
	250													410.000		
340	250	340 x 570	640	710	118	450	161	8	M 20	490	24	M 30	1450	465.000	810	
	260													506.000		
	270													555.000		
360	280	360 x 590	660	720	106	450	167	8	M 20	490	24	M 30	1450	556.000	795	
	290													606.000		
	295													632.000		

Code:

Ma: screws tightening torque

Mt: transmissible torque with Fax=0 kN

