

Example of order: MAV 2061 - 6 x 22 (d x D)

Features

- shaft - hub locking device with medium to high torque capacity
- single taper design, self-centering, self-locking
- general purpose unit, particularly recommended for servo- and stepping-motors
- no axial movement of hub during installation
- good bending moment capacity
- shaft tolerance h8; hub bore tolerance H8
- shaft and hub bore surface finish $Ra < 3,2 \mu m$

Application examples

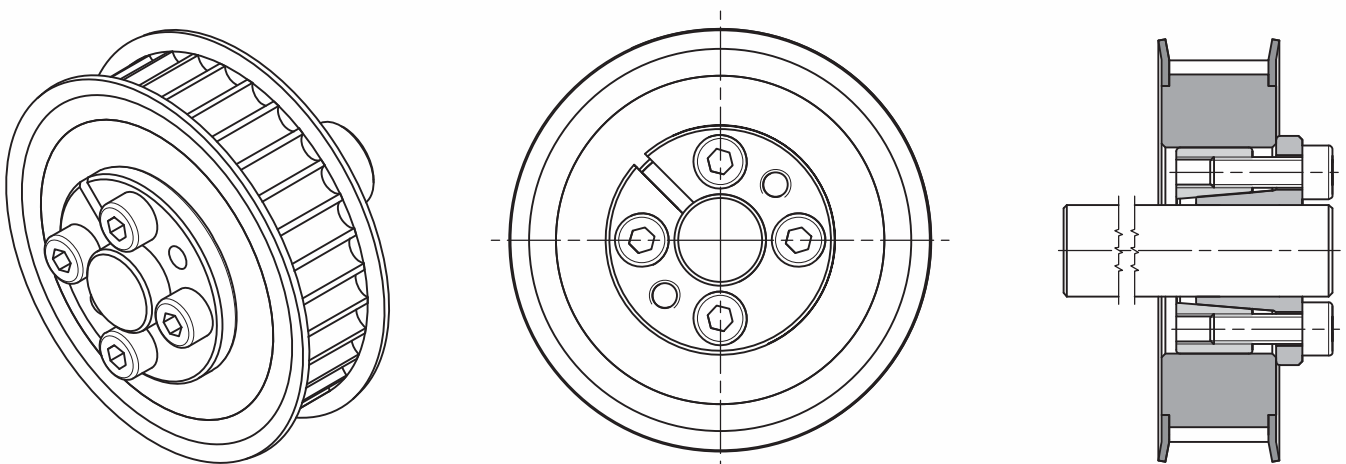
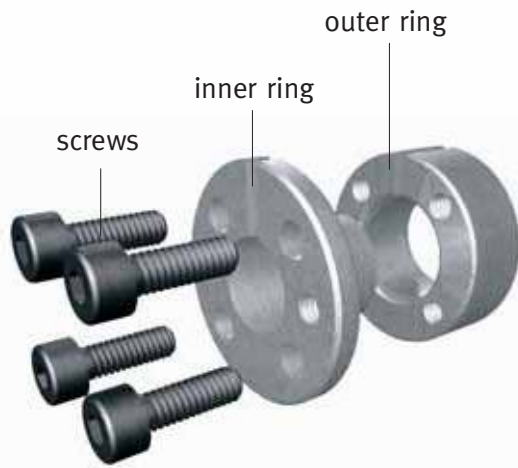


Fig.1: fastening of a drive pulley with MAV 2061

Composition

- slotted inner ring, with intergrated push-off threads
- slotted outer ring
- set of socket head cap screws, grade 12.9



Components of MAV 2061

DIMENSIONS						SCREWS						
d	x	D	D1	L	L1	size	Ma	Mt	Fax	Ps	Ph	
mm		mm	mm	mm	mm		Nm	Nm	kN	N/mm ²	N/mm ²	
6	x	22	25	20,5	13,1	M 4	5	22	7,3	323	88	
7	x	22	25	20,5	13,1	M 4	5	26	7,3	277	88	
8	x	22	25	20,5	13,1	M 4	5	29	7,3	242	88	
9	x	25	28	20,5	13,1	M 4	5	33	7,3	215	77	
10	x	25	28	20,5	13,1	M 4	5	37	7,3	194	77	
11	x	27	30	20,5	13,1	M 4	5	54	9,7	235	96	
12	x	27	30	20,5	13,1	M 4	5	58	9,7	215	96	
14	x	30	33	24,5	15,1	M 4	5	102	14,6	231	108	
15	x	30	33	24,5	15,1	M 4	5	110	14,6	215	108	
16	x	30	33	24,5	15,1	M 4	5	117	14,6	202	108	
17	x	34	37	24,5	15,1	M 4	5	124	14,6	190	95	
18	x	34	37	24,5	15,1	M 4	5	131	14,6	179	95	
19	x	34	37	24,5	15,1	M 4	5	139	14,6	170	95	
20	x	40	45	30	19,2	M 5	10	235	23,5	207	104	
22	x	40	45	30	19,2	M 5	10	258	23,5	189	104	
24	x	43	48	30	19,2	M 5	10	375	31,3	230	129	
25	x	43	48	30	19,2	M 5	10	391	31,3	221	129	
28	x	50	55	33	21,2	M 5	10	547	39,1	218	122	
30	x	50	55	33	21,2	M 5	10	586	39,1	203	122	
32	x	55	60	33	21,2	M 5	10	625	39,1	191	111	
35	x	55	60	33	21,2	M 5	10	684	39,1	174	111	

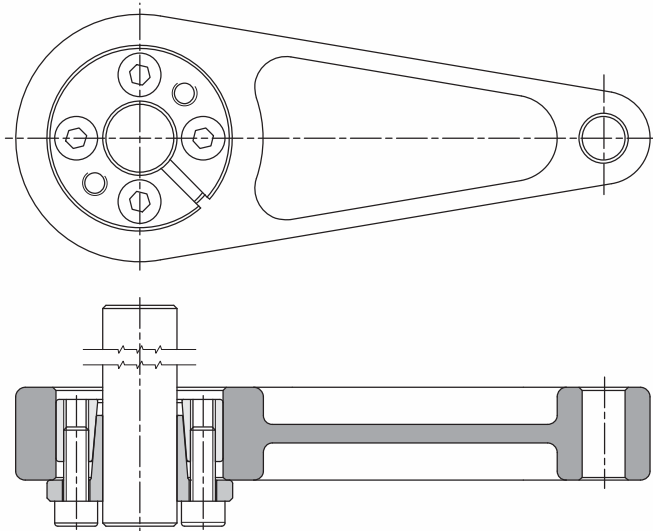


Fig.2: mounting a lever arm with MAV 2061

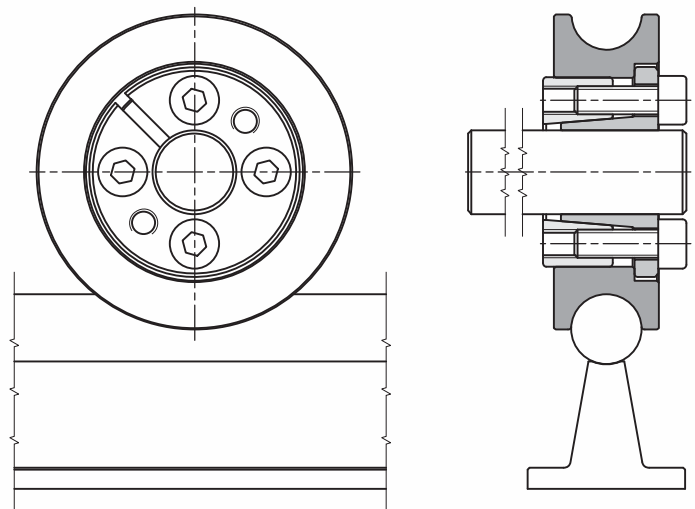


Fig.3: using MAV 2061 to connect a linear wheel